



Product Specification

Date of Release : 2020/8/31
Version : Draft

TGM-CME0



Features

- Dual Core Processor is powerful for edge computing
- Rich wireless communication interface incl. BT, WiFi, NB-IoT/Cat-M1 for industrial application
- RS-232/485 interface is easy for external device expand
- Backup battery for emergency situations

Specifications

System	Processor	ESP32-WROOM-32D 32-bit LX6 Dual Core 240MHz
	Operation System	RTOS
LED Indicators	Power	x1 Red
	WLAN/BT	x1 Green for WiFi and Yellow for BT
	WWAN	x1 Green
Sensor	On Board	x1 Vibration, x1 Temp., x1 dB Met[1]
Interface	General	x1 RS-232/485[2]
	Card	x1 MicroSD & MicroSIM Combo
Wireless Communication	WLAN	802.11 b/g/n 2.4GHz
	Bluetooth	V4.2 EDR and BLE
	WWAN	LTE-FDD: [4] B3(1800MHz), B8(900MHz)
GNSS	Satellite	GPS, GLONASS, BeiDou, Galileo
Antenna	External	x3 RPSMA Female



Product Specification

Date of Release : 2020/8/31

Version : Draft

Power System	Voltage Input	12V, 1A
	Backup Battery	3.6V 1150mAh Li-Ion Battery [3]
Mechanical	Mount	Screw
	Dimension	84mm x 95mm x 30mm
	Weight	210g
Environment	Operating Temp.	-10 ~ 50°C
	Storage Temp.	-20 ~ 60°C
	IP Rating	IP54
	Shock/Vibration	SAE J1455
	Certification	NCC, BSMI

備註：

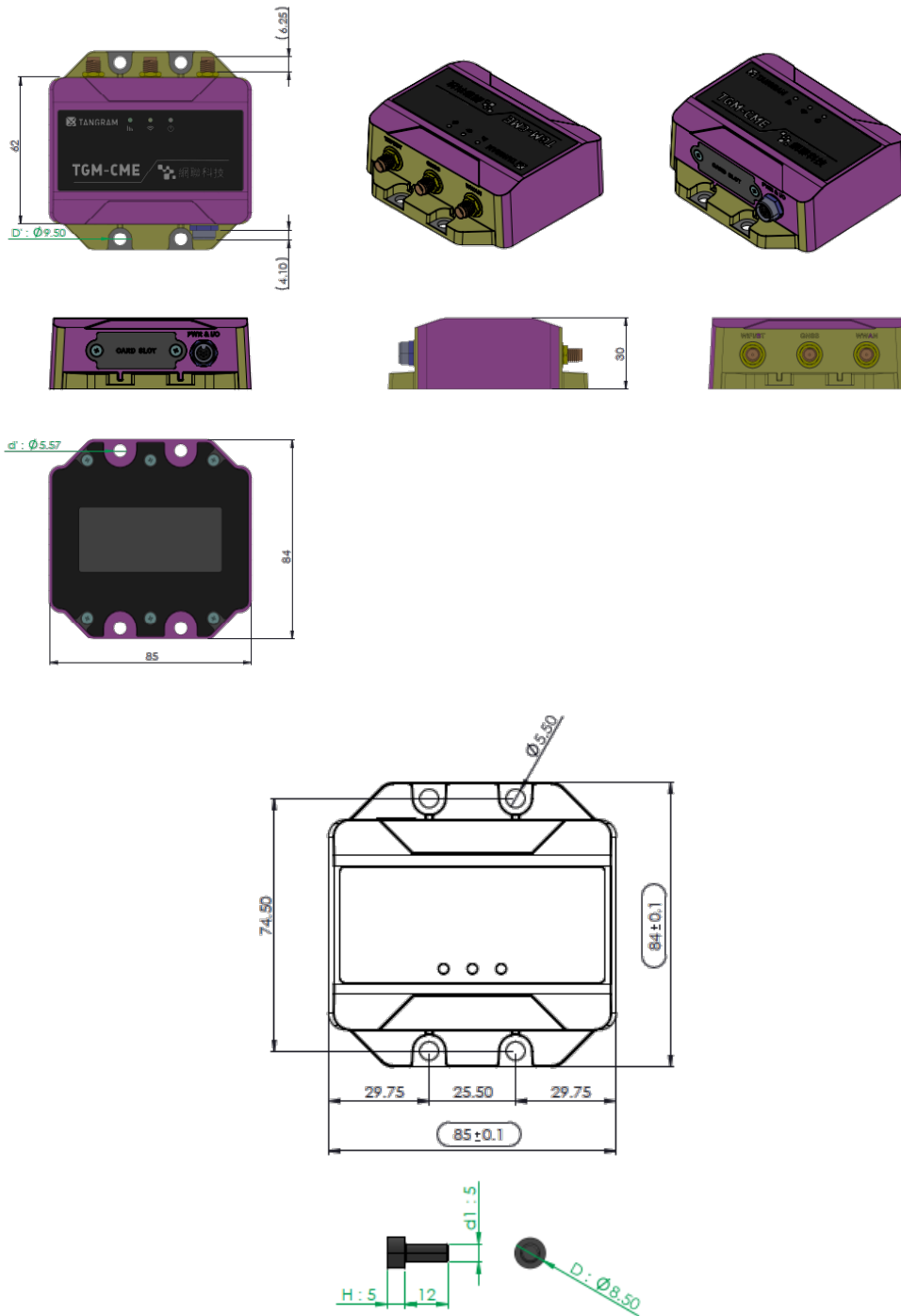
1. 板端感應器為選配項目
2. RS-232/485預設使用介面為RS-485
3. 內建電池為選配項目
4. 提供B3 (1800MHz) CAT-M1和B8 (900MHz) CAT-NB1於認證之各大電信業者使用



Product Specification

Date of Release : 2020/8/31
Version : Draft

Dimensions



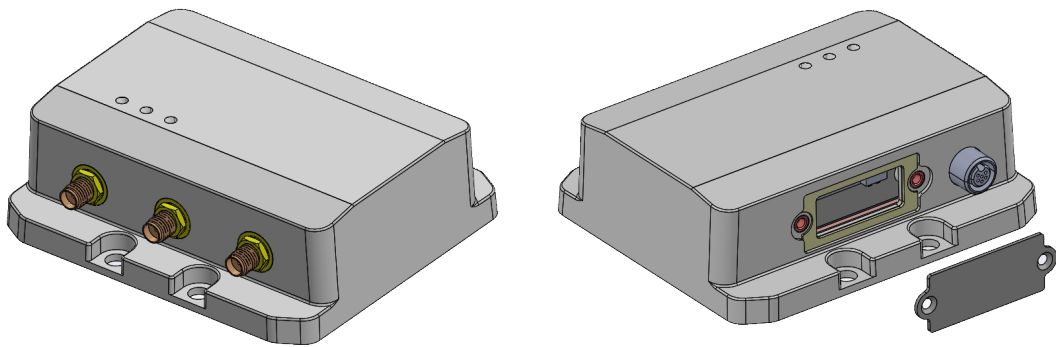


Product Specification

Date of Release : 2020/8/31

Version : Draft

Interface Layout



- **Antenna:** WiFi/BT (Left), GNSS (Middle), CAT-NB/M (Right)
- **I/O Door:** MicroSD and MicroSIM,
DIP Switch for System ON/OFF & Charger ON/OFF
- **M8:** Power In and RS-232/485